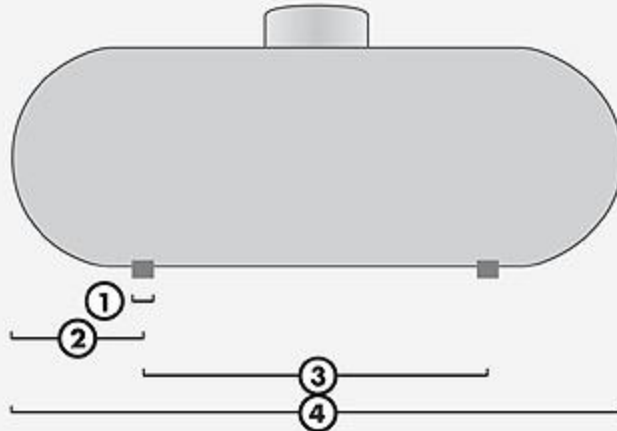


# Quality Steel Corporation Domestic Tank Specifications

## Tank Specifications

### Height from Top of Tank to Dome Top

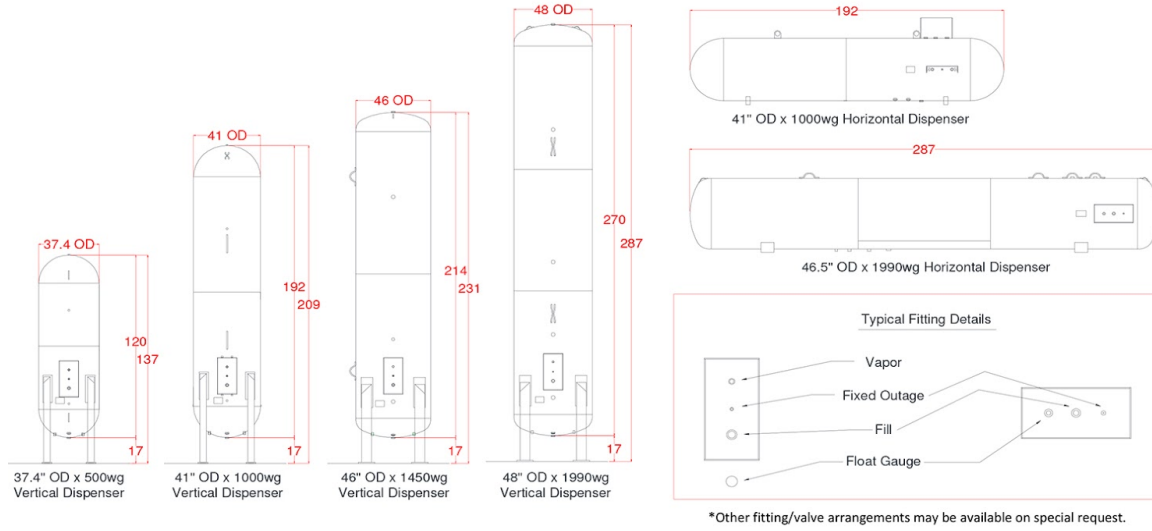
AG	7.50
AG/UG	10.75
AG/UG Long	14.75
UG (SNR)	14.75
UG (LNR)	26.75



Tank Size (in gallons)	120	150	250	320	475	500	1000
<b>Dimensions</b>	24x67	24x82	30x92	30x114	37x113	37x120	41x190
<b>Approximate Weight (in pounds)</b>	260	380	480	620	920	940	1800
<b>Shell Thickness</b>	0.140	0.140	0.175	0.175	0.218	0.218	0.238
<b>Head Thickness</b>	0.138	0.138	0.148	0.148	0.184	0.184	0.201
<b>① Leg Width</b>	2.5	2.5	2.5	2.5	3	3	3
<b>② Leg Distance from Edge of Shell</b>	6.5	2.75	1.75	6	4	4	4
<b>③ Leg Distance from Center to Center</b>	34.5	59	60	60	60	60	141.5
<b>④ Shell Width</b>	50	67	64	87	75	81	149

All dimensions are in inches unless otherwise noted. Dimensions may vary +/- 1".

# Vertical and Horizontal Dispenser Tanks

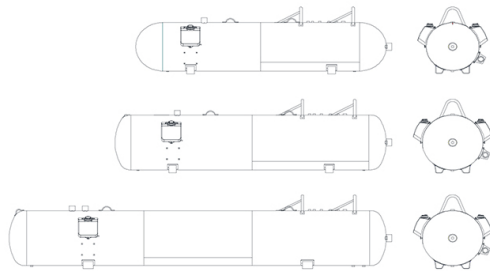


APPROXIMATE DISPENSER DIMENSIONS AND SPECIFICATIONS

Dispenser Type	Nom. Capacity (wg)	Diameter (OD)	Head Type	Vessel Length	Overall Height	Leg Bolt Spacing		Est. Vessel Weight (lbs.)
						Length	Width	
Vertical	500	37.4"	Hemi.	10'	11'-5"	2'-2 1/2"	2'-2 1/2"	950
	1000	41"	Hemi.	16'	17'-5"	2'-5 3/8"	2'-5 3/8"	2,330
	1450	46"	Ellip.	17'-10"	19'-3"	2'-8 1/2"	2'-8 1/2"	3,272
	1990	48"	Ellip.	22'-6"	23'-11"	2'-10"	2'-10"	5,336
Horizontal	1000	41"	Hemi.	10'	4'-10"	10'-1" 11'-9 1/2"	1'-4" 1'-4"	1,800
	1990	46.5"	Ellip.	23'-11"	4'-5"	16'	1'-4"	3,516

Updated November 10, 2014

# NH3 Nurse Tanks



Vessels shown with optional safety equipment brackets and end mount float gauge.  
Water bottle and safety equipment by customer.

Capacity (gallons)	Diameter (OD)	Head Type	Overall Length	Overall Height	Leg Bolt Spacing		Weight (lbs.)
					Length	Width	
1000	41"	Hemi.	16'	4'-9 1/2"	9' o.c. 10' o.c.	21" o.c. 21" o.c.	1,800
1450	46.5"	Ellip.	17'-3 3/4"	5'-4"	10' o.c. 12'-1"	21" o.c. 21" o.c.	2,658
2000	46.5"	Ellip.	24'-1"	5'-4"	14'	21" o.c.	3,765

\* Dimensions and specifications shown are approximate. Individual vessels may vary.

## General Specifications

- Conforms to the latest edition of ASME Rules for Construction of Pressure Vessels, Section VIII, Division 1. Complies with ANSI K61.1-1999.

- Rated at 250 psig from -20° F. to 400° F. All vessels registered with National Board.

- Vessels are externally blasted to SSPC-SP10 and powder coated with white TGIC polyester powder coating.

- Standard leg bolt spacing shown. Other spacing available on special request.

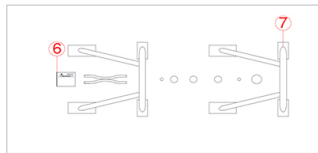
- Standard fitting arrangement shown. 1 1/2" liquid withdrawal standard to accommodate a wide range of liquid withdrawal valve options. Other arrangements available on special request including dual liquid withdrawal, additional vapor/fill valves, or alternate valve locations.

- Tanks legs and roll cages mounted on welding pads for strength and to enable field repair.

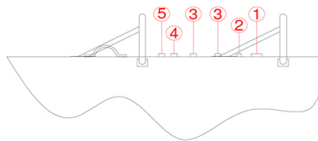
- Optional safety handle, end mount float gauge, and safety equipment brackets available.

- Optional Heat Treatment/Stress Relief of entire tank available.

## Standard Fitting Arrangement



- 1) 1 1/2" liquid withdrawal
- 2) Pressure gauge
- 3) Vapor/Fill
- 4) Float gauge



- 5) Fixed outage gauge
- 6) Tank name plate
- 7) Roll cage/valve guard

(Pressure relief valve(s) not shown)

Updated November 10, 2014