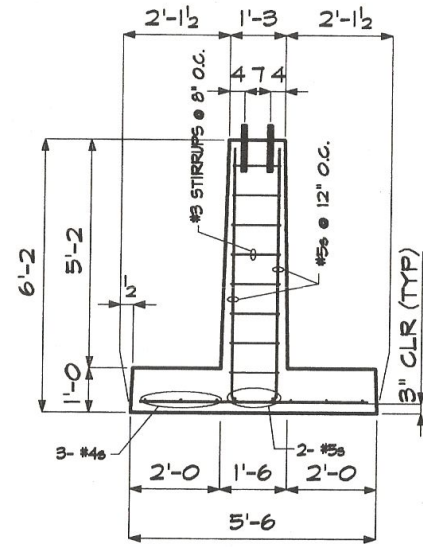
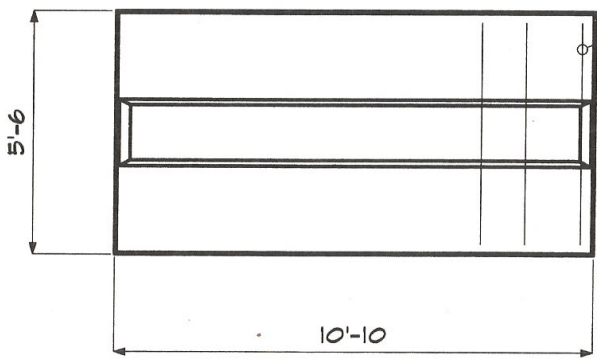


SIDE VIEW



SECTION

#5's @ 12" O.C. (BENT)
TYPICAL



TOP VIEW

NOTE: Disregard bolt patterns. They have no bolts.



RAD = N/A	PIER HT = 6'-2
WEIGHT = 21,000 LBS	10'-2" FLAT TOP