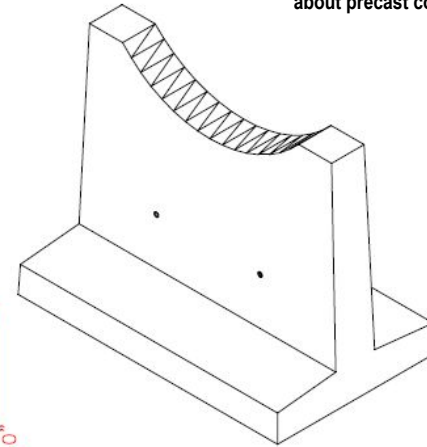
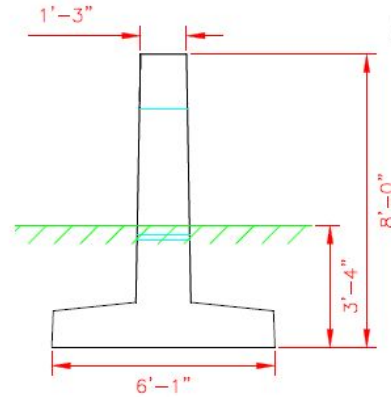
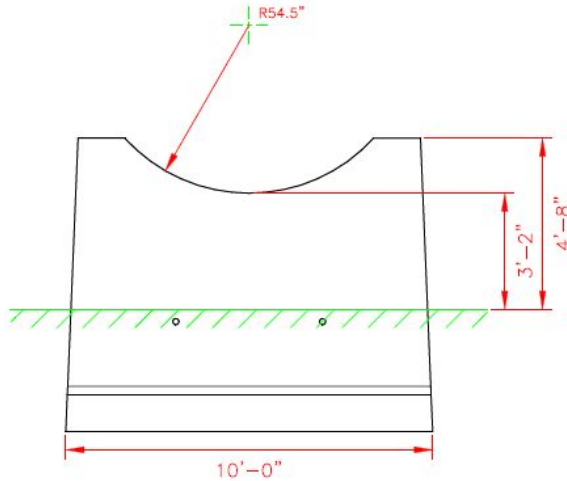


Go to AllianceTruckandTank.com or call 800-632-2038 for more information about precast concrete piers.



NOTE: Ground line or grade is dependent on frost depth and will vary by region

109" PIER

Scale 1/4"=1'-0"