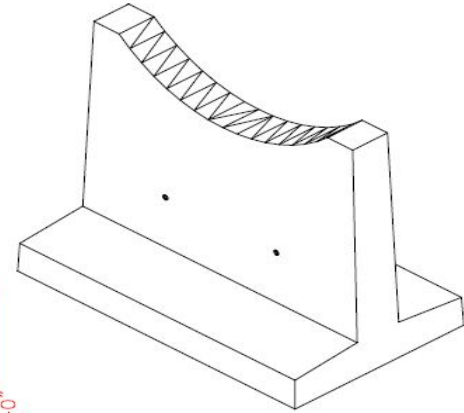
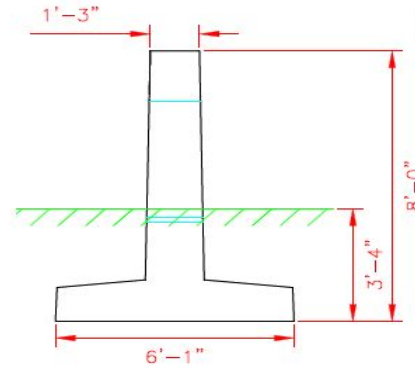
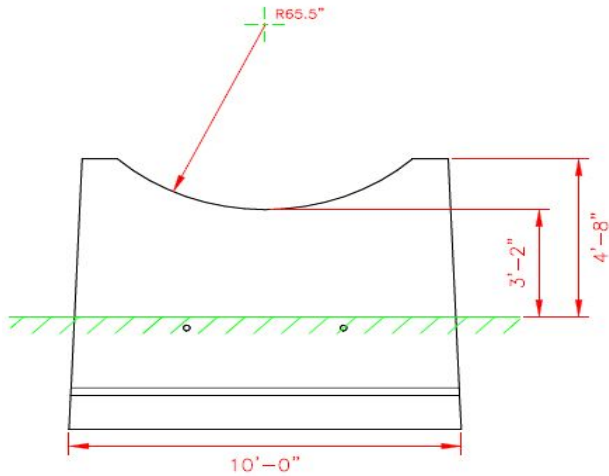
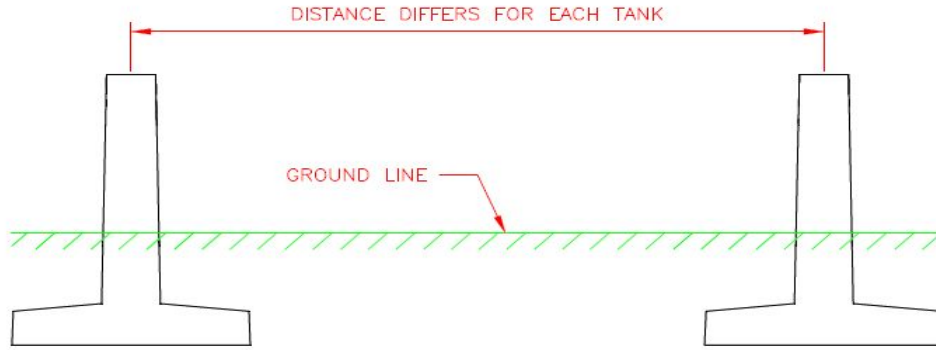




Go to [AllianceTruckandTank.com](http://AllianceTruckandTank.com) or call 800-632-2038 for more information about precast concrete piers.



NOTE: Ground line or grade is dependent on frost depth and will vary by region

131" PIER Scale 1/4"=1'-0"